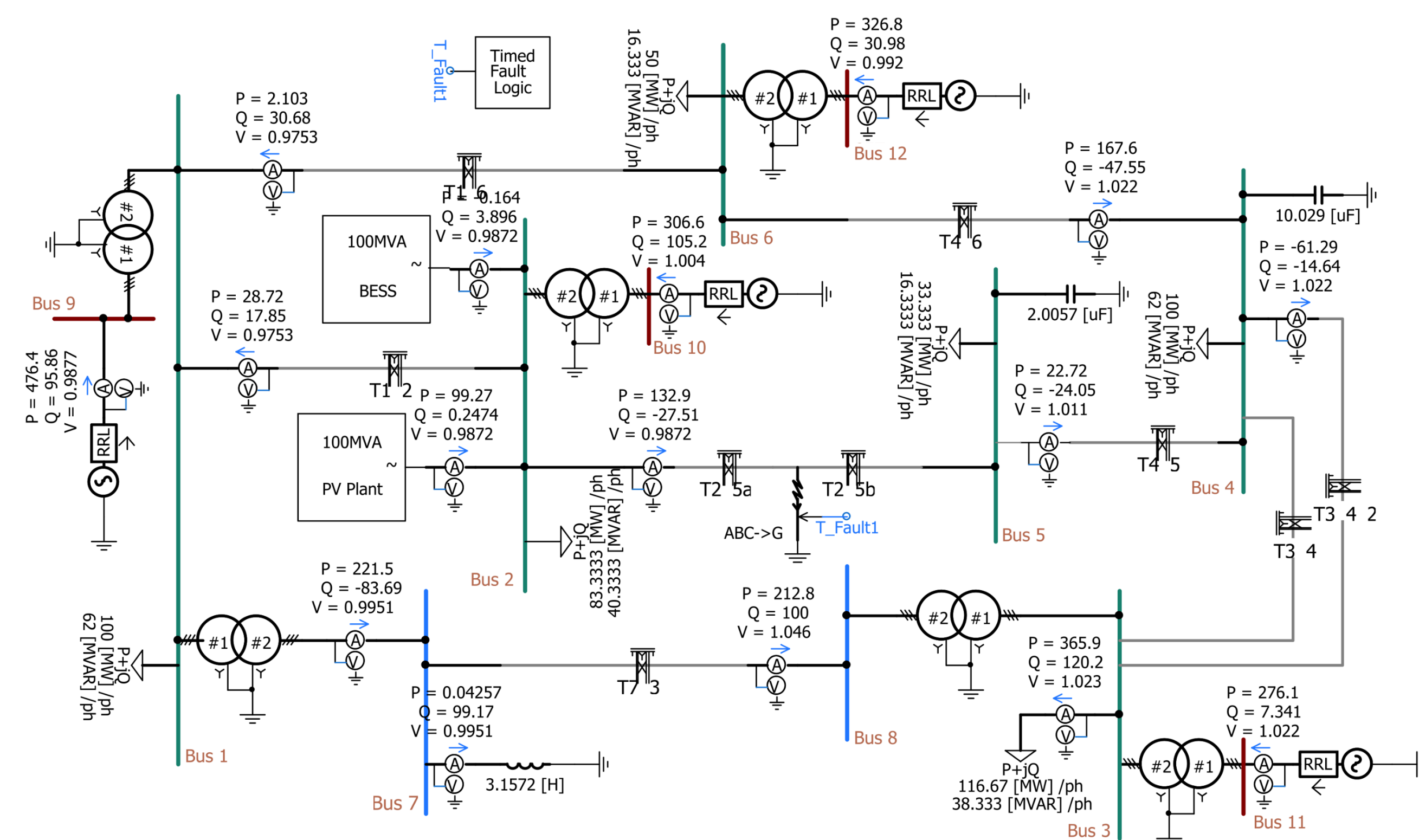


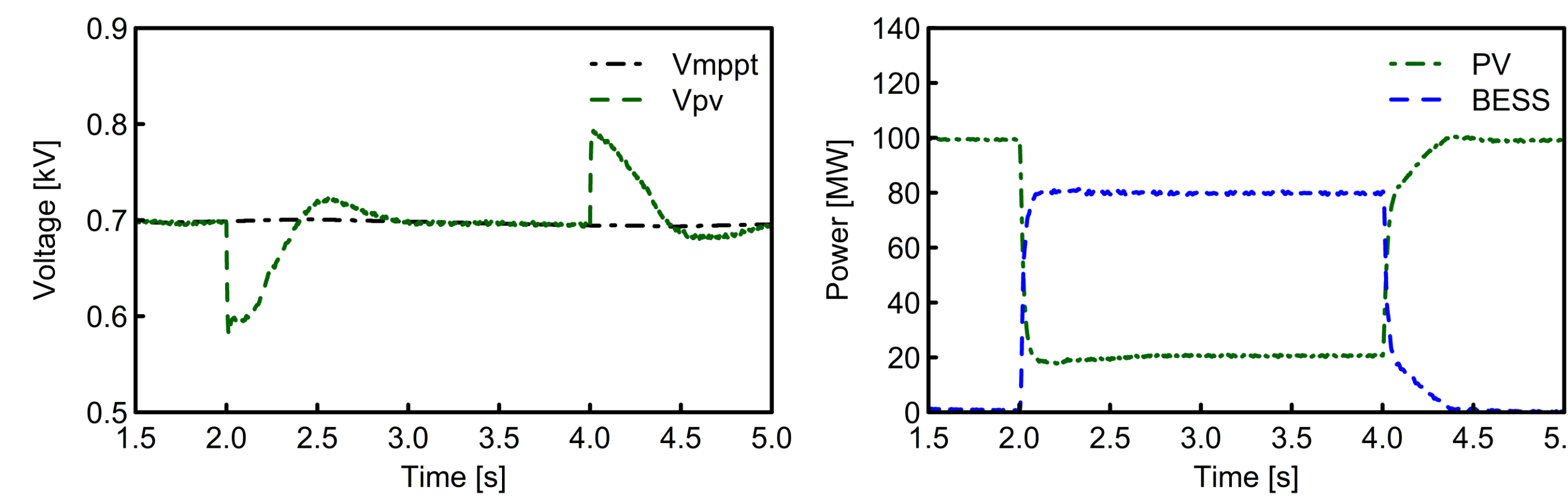
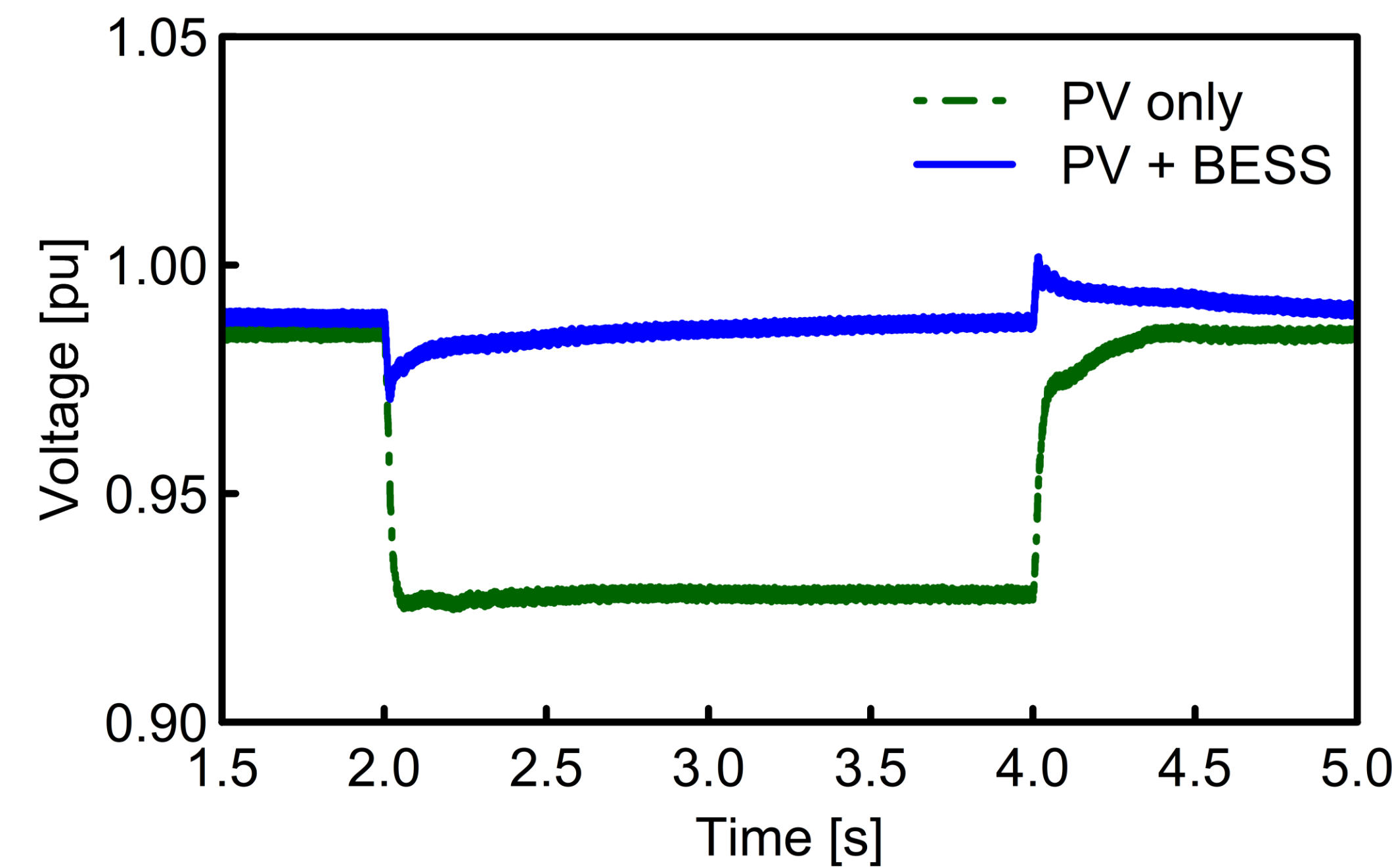
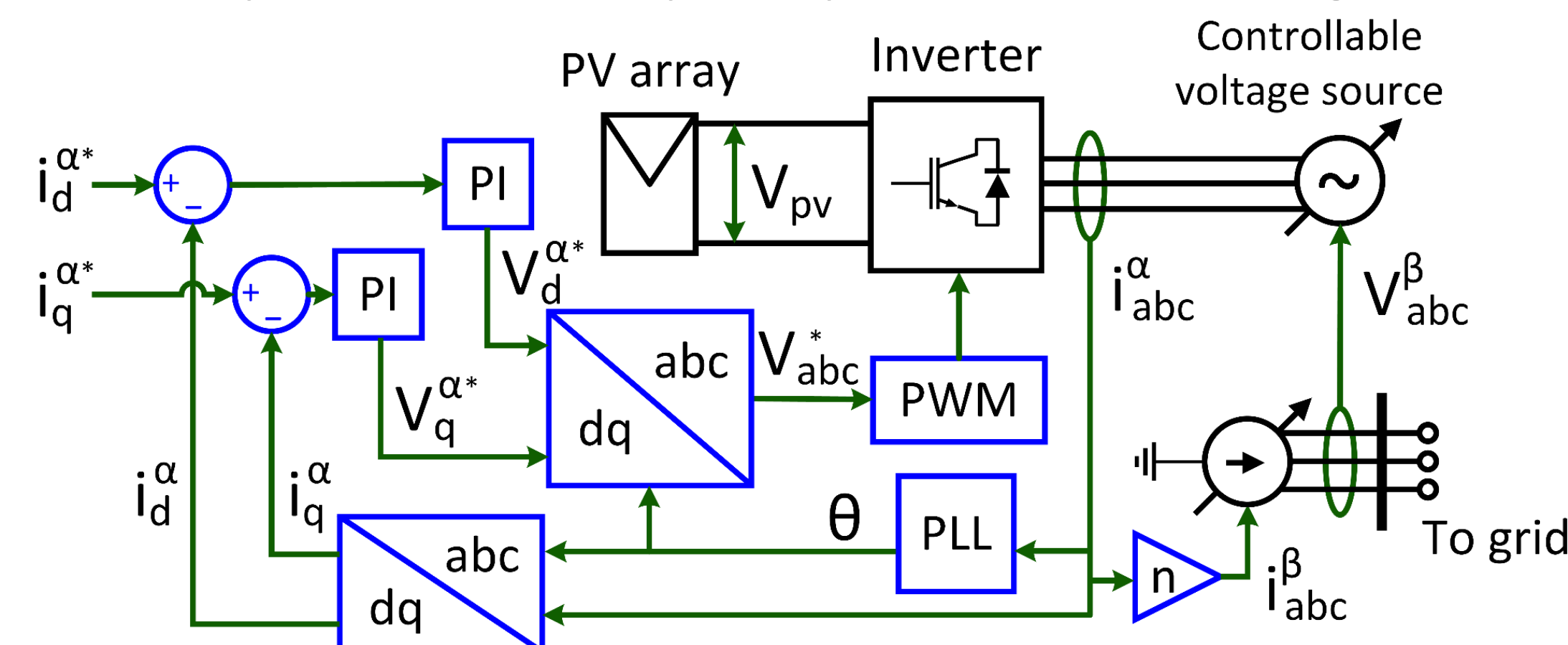
Problem Formulation

- The move toward renewable energy sources has led to an increase in the penetration of inverter-based resources onto the transmission system
- Most literature discusses two types of models of IBRs, time-average models, which do not capture high-frequency switching effects, and detailed switching models, which are computationally expensive
- The IEEE 12-Bus test system was modified in PSCAD™/EMTDC™ to include a 100 MW PV facility and 100 MW battery energy storage system (BESS) connected at bus 2.
- The PV facility and BESS are modelled using a proposed dynamic inverter-based resource module
- A demonstration of the module was performed using two transient case studies showing the behavior of the BESS during real and reactive power support of the grid.



Dynamic Inverter-Based Resource (IBR) Module

- A dynamic inverter-based resource module was developed for computer simulation of PV, wind and battery energy storage systems
- The dynamic module combines the ability to capture the effect of high frequency power electronics, as in detailed IBR models, with reduced computational complexity, as in time-average IBR models.



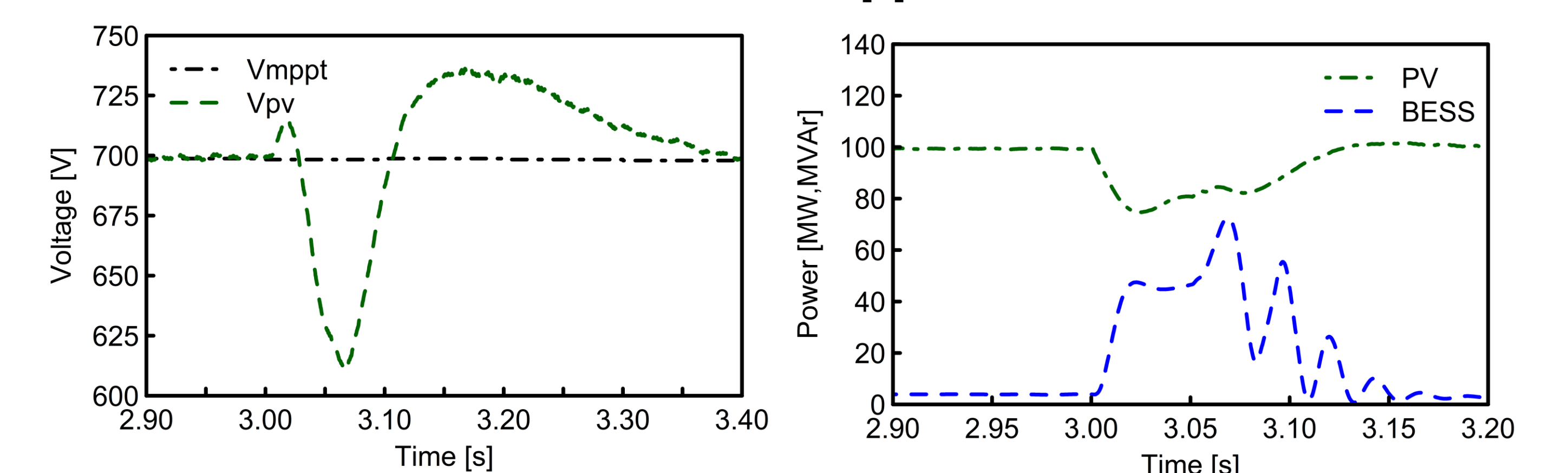
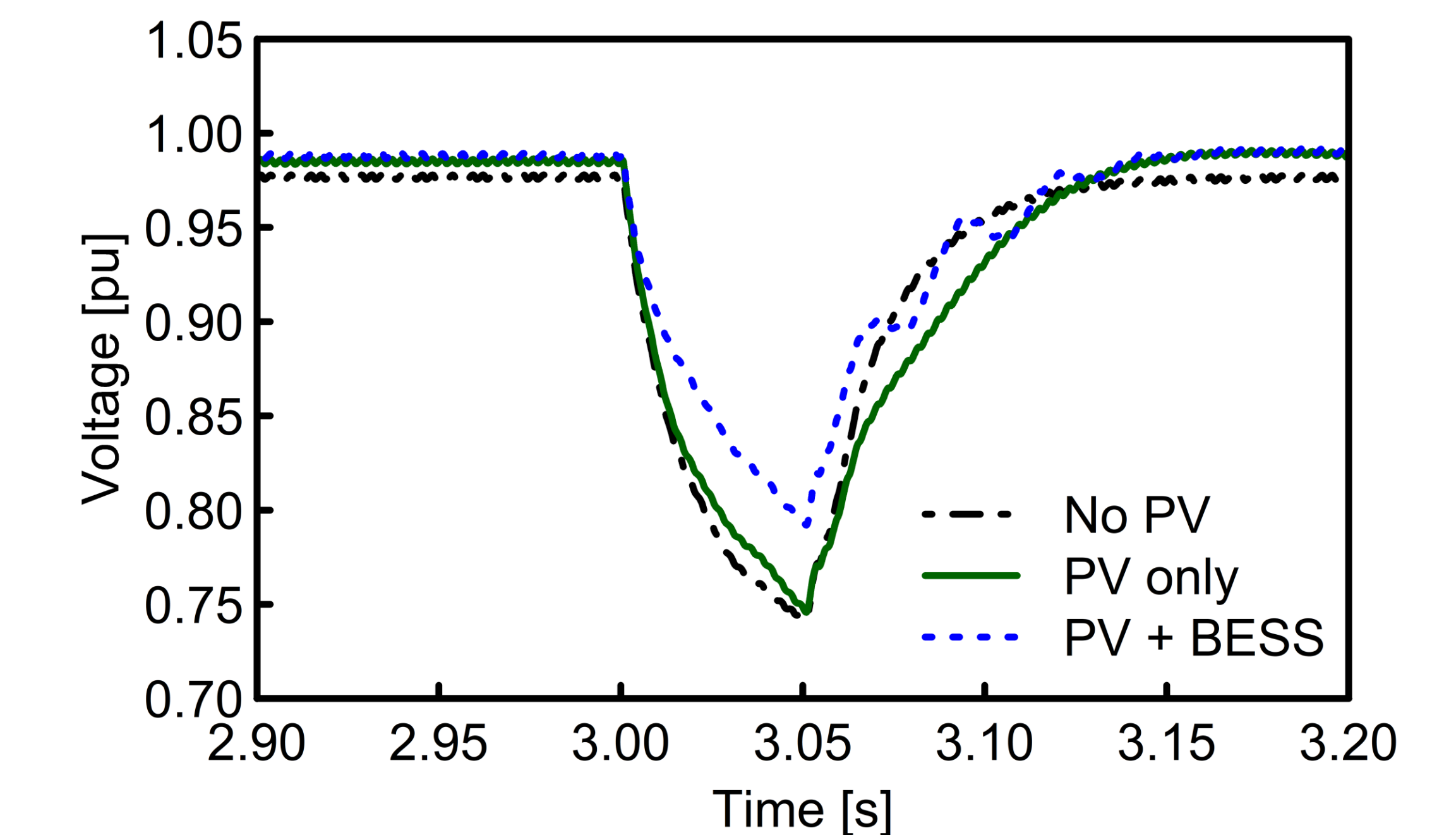
PV and BESS Transient Shading Response

- The impact of sudden shading on the solar PV plant operation and the response of the BESS system was simulated and analyzed on the modified transmission system
- The solar PV array irradiance was set to suddenly fall from 1000W/m² to 200W/m² for a duration of 2s at 2s simulation time
- The BESS was set to provide real power support during the condition of shading so that the real power output at the point of interconnection remained constant.
- The bus voltage at the point of interconnection was monitored for two cases: the case of PV with no BESS support and the case of PV along with the BESS in real power support mode
- The simulation results show that the real power support of the battery during the shading condition results in a mitigation of an approximately 0.07 pu voltage drop at bus 2, the point of interconnection.

BESS Volt-Var Operation

- The impact of transient three-phase transmission line fault conditions on the solar PV plant operation and the response of the BESS system was simulated and analyzed.
- The BESS was configured to absorb reactive power during periods of high bus voltage and vice-versa
- Reactive power support is inactive when the terminal voltage of the battery is between 0.995 and 1.005 pu

- The BESS supplies or absorbs half of its reactive power capacity when the terminal voltage is below 0.9 pu or above 1.1 pu, respectively.
- The reactive power is then linearly interpolated for voltages between 0.9 - 0.995 pu and 1.005 - 1.1 pu
- The fault and reduction in PV terminal voltage led to a drop in DC-Link voltage before the controller acted to maintain the reference voltage
- The reactive power support of the battery energy storage system significantly mitigated the voltage drop at the point of interconnection due to the fault



Conclusions

- A dynamic IBR module was developed to analyze impact of large-scale PV and BES systems on transmission systems
- The dynamic module combines benefits of detailed switching models with time-average models
- The modified IEEE 12-Bus Test system was developed for use in two test cases to demonstrate the benefits of the proposed module
- The simulation of real and reactive power support of the battery shows the module' to be used for transmission system improvements in PV hosting capacity and voltage regulation under conditions of faulting and solar shading.

Acknowledgement

The support of Louisville Gas and Electric and Kentucky Utilities, part of the PPL Corporation family of companies, and of University of Kentucky, the L. Stanley Pigman endowment is gratefully acknowledged.